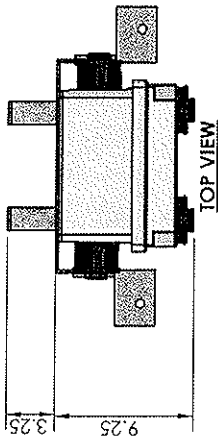
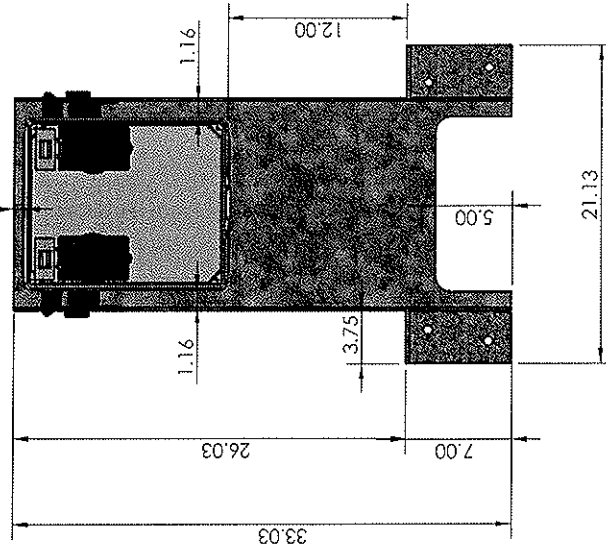


ISOMETRIC VIEW

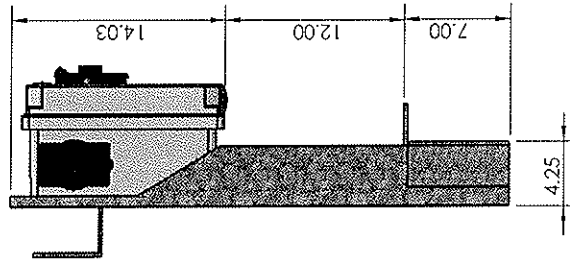
NOTES:
 1. RVJ 12X10 SHOWN FOR RELATIVE SIZING PURPOSES ONLY



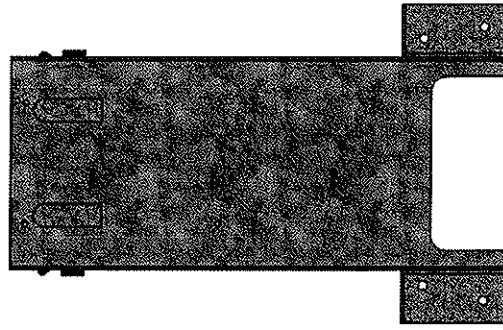
TOP VIEW



FRONT VIEW



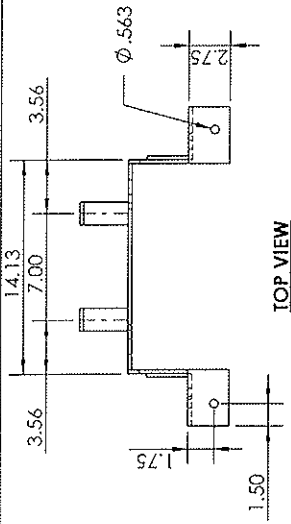
SIDE VIEW



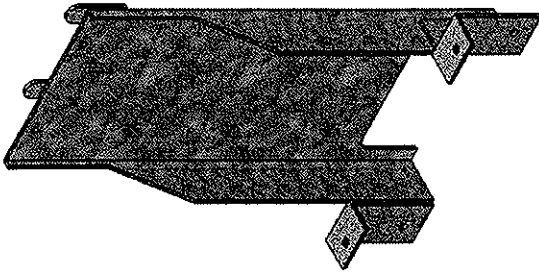
BACK VIEW

2001 Marine Systems
 Seattle, WA

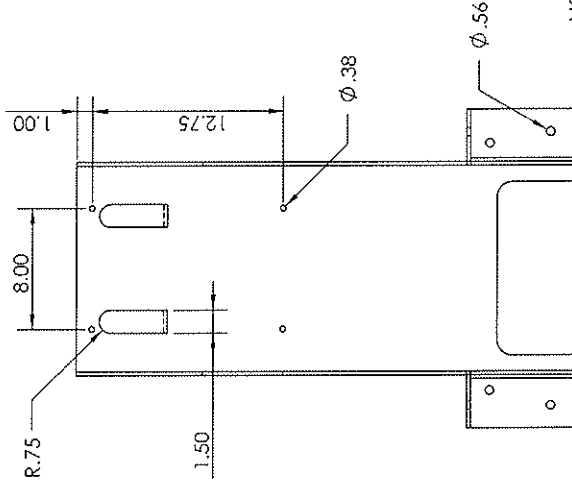
Client: Port of Poulsbo	TITLE: 2010 Pedestal	REV A
DRAWN BY: AUTOSCAN, INC.	MODEL NO.:	
SCALE: 1:2	DATE: 1/16/2010	SHEET 2 OF 2



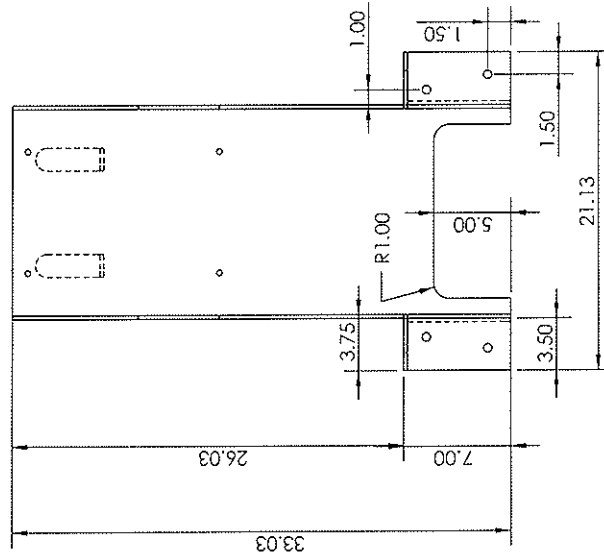
TOP VIEW



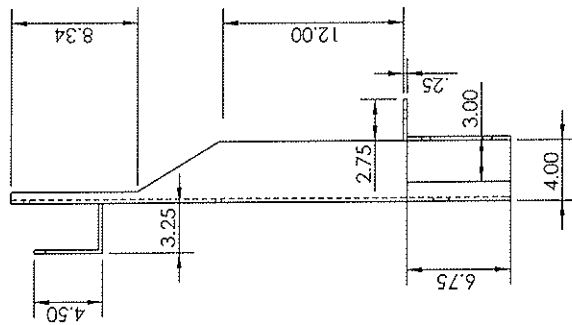
ISOMETRIC VIEW



BACK VIEW



FRONT VIEW



SIDE VIEW

NOTES:
1. MATERIAL 1/4" THICK GALVANIZED STEEL

2001 Marine Systems

Seattle, WA

Client: Port of Poulsbo	TITLE: 2010 Pedestal
DRAWN BY: AUTOSCAN, INC.	MODEL NO: REV A
SCALE: 1:2	DATE: 11/16/2010
SHEET 1 OF 2	